



4164-NFM-TCHR

(Translucid Chrome)



4164-NFM-CLR

(Clear)



Contemporary blown glass shape.
Translucent chrome finish glows when lit.
energy efficient LED, different sources available.



KIZIS 4164-NFM

PROJECT PROJÉT
SPEC TYPE
NOTES



OPTIONS



LED

FAMILY FAMILLE

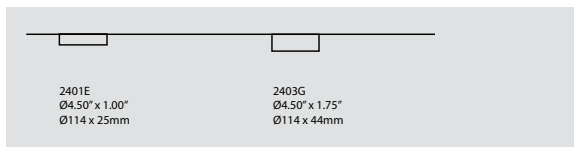


4424-NFM

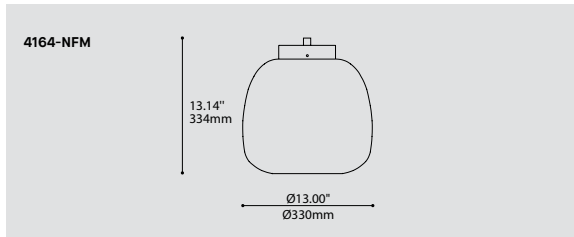
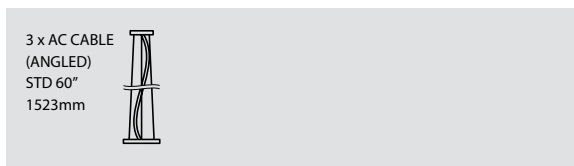
OVERALL HEIGHT HAUTEUR HORS TOUT

LIGHT SOURCE	INC-LED	LED DIM -8W 277V
MOUNTING	2401E	2403G
CABLE	74.15"	74.65"

MOUNTING OPTIONS OPTIONS DE MONTAGE



STEM OR CABLE OPTIONS OPTIONS DE TIGE OU CABLE



ORDERING SPECIFICATION SPÉCIFICATION DE COMMANDE

MODEL MODÈLE	4164-NFM	CODE
4164-NFM	KIZIS	
LIGHT SOURCE SOURCE LUMINEUSE		
<small>(WATTAGE, LAMP TYPE, LAMP FORM, BASE TYPE, OTHER INFO)</small>		
PAR30.50	50W, INC, PAR30, MEDIUM BASE (120V ONLY)	
INC.100	100W, INC, A19 / HAL T10, MEDIUM BASE (120V ONLY)	
LED.8	8W, LED	
COLOR TEMPERATURE TEMPÉRATURE DE COULEUR		
<small>FOR LED ONLY</small>		
30	3000K	
35	3500K	
40	4000K	
VOLTAGE VOLTAGE		
120V	120 VOLT	
277V	277 VOLT	
DIMMING OPTION OPTION DE GRADATION		
<small>FOR LED ONLY</small>		
DV	0-10V DIMMING (120-277V)	
DP	PHASE DIMMING (120V ONLY)	
CABLE CABLE		AC
AC	AIRCRAFT MOUNTING & CLEAR CABLE, FIELD ADJUSTABLE	
CABLE LENGTH LONGUEUR DE CABLE		
60	60" AIRCRAFT CABLE (STD LENGTH)	
**	CUSTOM AIRCRAFT CABLE LENGTH (PLEASE SPECIFY) <small>FOR OVERALL LENGTH PLEASE CONTACT YOUR EUREKA REPRESENTATIVE.</small>	
MOUNTING MONTAGE		RC
RC	ROUND CANOPY / PAVILLON ROND FOR INC AND LED: 1.00" CANOPY (2401E) FOR DIMMING LED & 8W 277V: 1.75" CANOPY (2403G)	
STRUCTURE FINISH FINI STRUCTURE		
CHR	CHROME	
S C	SATIN CHROME	
DIFFUSER FINISH FINI DIFFUSEUR		CLR
CLR	CLEAR	

PRODUCT CHARACTERISTICS CARACTÉRISTIQUES DU PRODUIT



DESIGN:	Pendant with soft and contemporary shaped hand blown glass.
INSTALLATION:	Easy to install and adjust, aircraft cable mounting.
LIGHT SOURCE:	LED and incandescent light sources available.
STRUCTURE:	Die-formed steel canopy with machined fittings. Available in chrome or satin chrome finishes.
DIFFUSER:	Clear blown glass.
CERTIFIED:	c-CSA-us
CONCEPTION:	Suspension en verre aux courbes douces et contemporaines.
INSTALLATION:	Facile à installer et à ajuster sur câbles d'acier.
SOURCE LUMINEUSE:	DEL et incandescent aussi offerts.
STRUCTURE:	Pavillon d'acier embouti et usiné. Offert en fini chromé ou chrome satiné.
DIFFUSEUR:	Verre soufflé clair.
CERTIFIÉ:	c-CSA-us

KIZIS 4164-NFM-TCHR

PROJECT PROJET
SPEC TYPE
NOTES



OVERALL HEIGHT HAUTEUR HORS TOUT

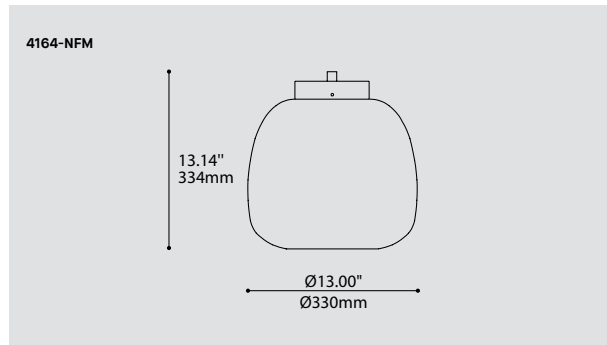
LIGHT SOURCE	INC-LED	LED DIM -8W 277V
MOUNTING	2401E	2403G
CABLE	74.15"	74.65"

MOUNTING OPTIONS OPTIONS DE MONTAGE

2401E Ø4.50" x 1.00" Ø114 x 25mm	2403G Ø4.50" x 1.75" Ø114 x 44mm
--	--

STEM OR CABLE OPTIONS OPTIONS DE TIGE OU CÂBLE

3 x AC CABLE (ANGLED) STD 60" 1523mm	
---	--



ORDERING SPECIFICATION	SÉPÉCIFICATION DE COMMANDE	CODE
MODEL MODÈLE	4164-NFM KIZIS	4164-NFM
LIGHT SOURCE SOURCE LUMINEUSE	(WATTAGE, LAMP TYPE, LAMP FORM, BASE TYPE, OTHER INFO) PAR30.50 50W, INC, PAR30, MEDIUM BASE (120V ONLY) INC.100 100W, INC, A19 / HAL T10, MEDIUM BASE (120V ONLY) LED.8 8W, LED	
COLOR TEMPERATURE TEMPÉRATURE DE COULEUR	FOR LED ONLY 30 3000K 35 3500K 40 4000K	
VOLTAGE VOLTAGE	120V 120 VOLT 277V 277 VOLT	
DIMMING OPTION OPTION DE GRADATION	FOR LED ONLY DV 0-10V DIMMING (120-277V) DP PHASE DIMMING (120V ONLY)	
CABLE CÂBLE	AC AIRCRAFT MOUNTING & CLEAR CABLE, FIELD ADJUSTABLE	AC
CABLE LENGTH LONGUEUR DE CÂBLE	60 60" AIRCRAFT CABLE (STD LENGTH) ** CUSTOM AIRCRAFT CABLE LENGTH (PLEASE SPECIFY) FOR OVERALL LENGTH PLEASE CONTACT YOUR EUREKA REPRESENTATIVE.	
MOUNTING MONTAGE	RC ROUND CANOPY / PAVILLON ROND FOR INC AND LED: 1.00" CANOPY (2401E) FOR DIMMING LED & 8W 277V: 1.75" CANOPY (2403G)	RC
STRUCTURE FINISH FINI STRUCTURE	CHR CHROME S C SATIN CHROME	
DIFFUSER FINISH FINI DIFFUSEUR	TCHR TRANSLUCENT CHROME	TCHR

PRODUCT CHARACTERISTICS CARACTÉRISTIQUES DU PRODUIT

BIM **DIM** **IES** **LED**

DESIGN: Pendant with soft and contemporary shaped hand blown glass.
INSTALLATION: Easy to install and adjust, aircraft cable mounting.
LIGHT SOURCE: LED and incandescent light sources available.
STRUCTURE: Die-formed steel canopy with machined fittings. Available in chrome or satin chrome finishes.
DIFFUSER: Translucent chrome blown glass.
CERTIFIED: c-CSA-us

CONCEPTION: Suspension en verre aux courbes douces et contemporaines.
INSTALLATION: Facile à installer et à ajuster sur câble d'acier.
SOURCE LUMINEUSE: DEL et incandescent aussi offerts.
STRUCTURE: Pavillon d'acier embouti et usiné. Offert en fini chromé ou chrome satiné.
DIFFUSEUR: Verre soufflé chrome translucide.
CERTIFIÉ: c-CSA-us

FAMILY FAMILLE

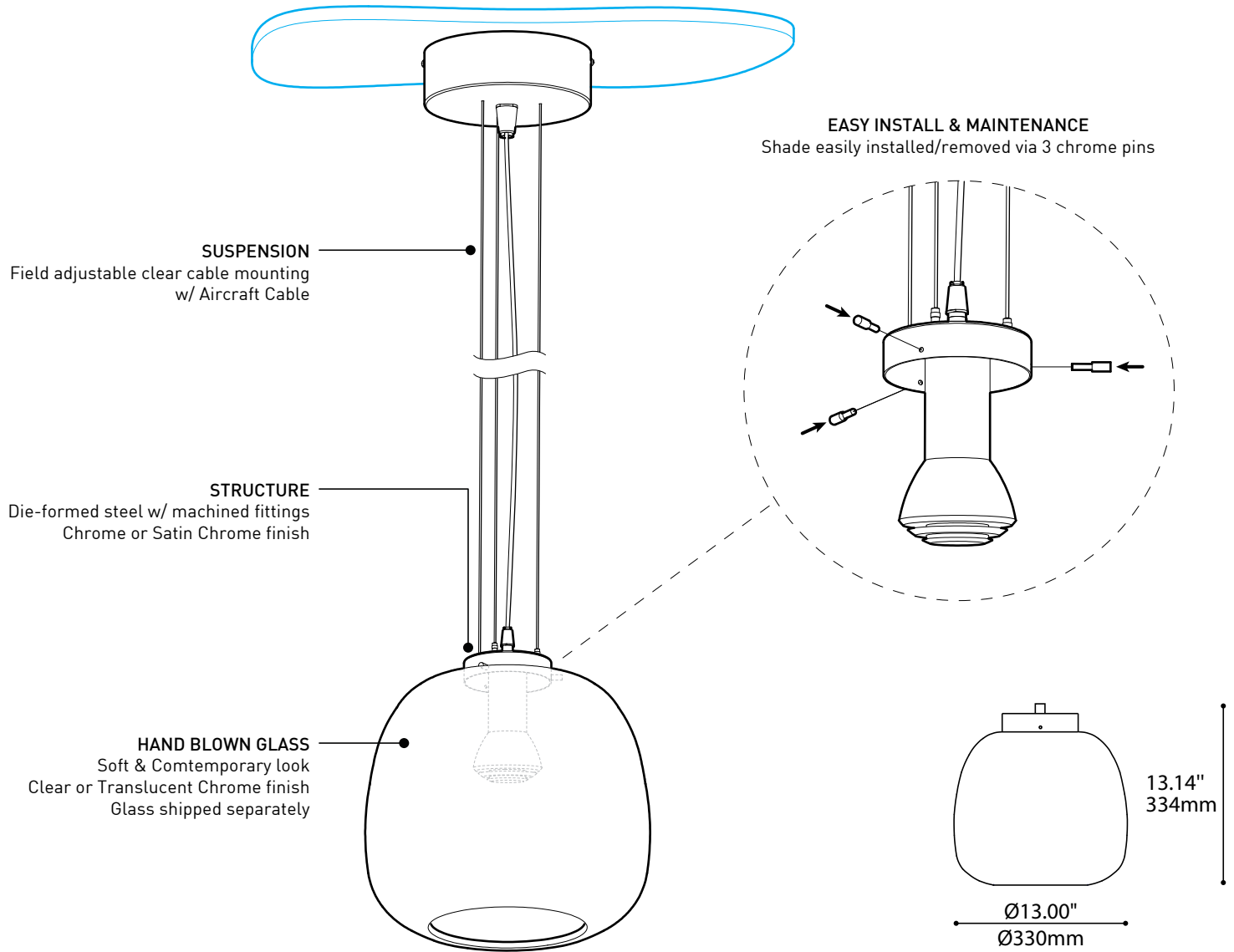


4424-NFM

OPTIONS



LED



SPECIFICATIONS

LIGHT SOURCE
MODULE
LUMENS (ESTIMATED)
CRI
STRUCTURE
SHADE
HEATSINK
OPTICS
VOLTAGE
DRIVER / BALLAST
DIMMING DV
DIMMING DP
LM-79
WARRANTY

LED

4 x Nichia - 8.4w total
UL recognized - made in USA
500 lm (4000K)
85 CRI (typical)
Die-formed steel w/ machined fittings and 3 chrome pins
Mouth blown clear crystal glass w/ translucent chrome plating
Custom designed clear anodized CNC machined aluminium - L70 estimated 50 000hrs
LEDIL TIR - 48° total beam angle
120V or 120-277V
700 mA (120-277V)
700 mA 0-10V Dimming (120-277V)
700 mA Phase Dimming (120V)
On request
5 years

METAL HALIDE

39W Ceramic Metal Halide
120-277V
Advance e-Vision electronic ballast
2 years

INCANDESCENT

50W PAR30 / 100W A19
120V
2 years



